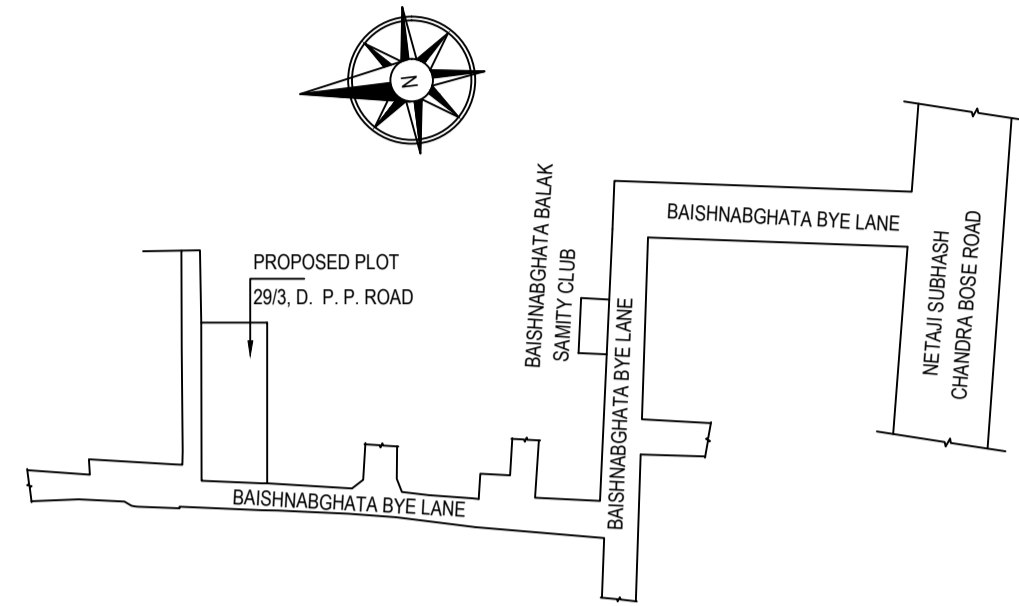
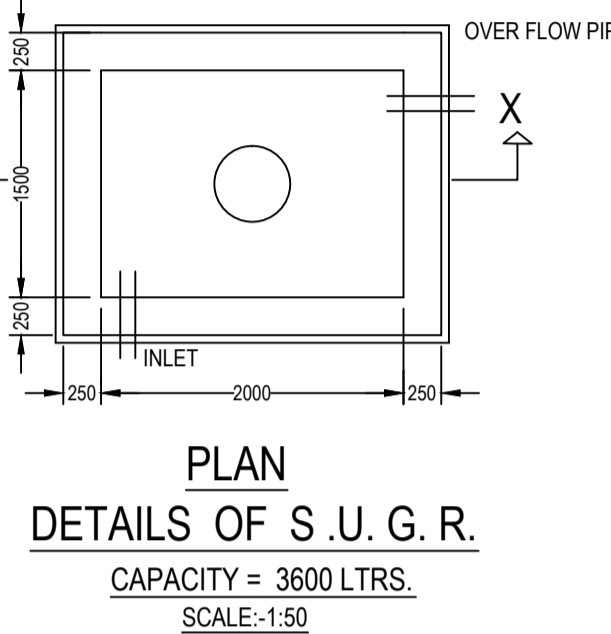
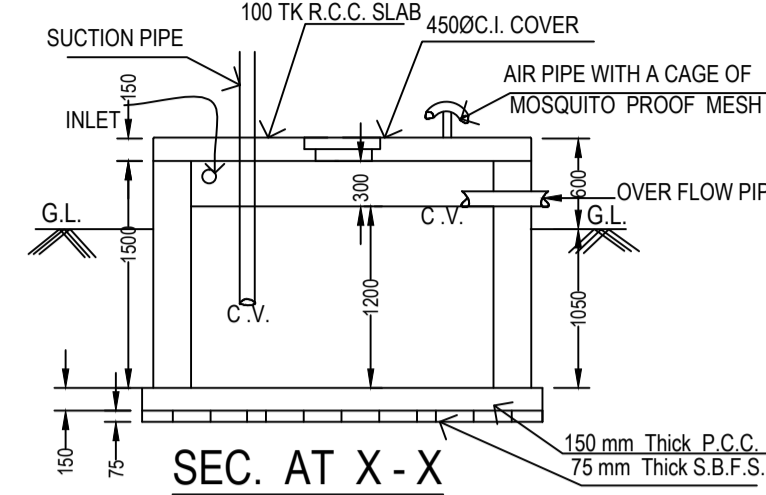


**SITE PLAN**  
SCALE :- 1 : 600

NOTE : DEPTH OF THE S. TANK AND S.U.G.W.R DOES NOT EXCEED THE DEPTH OF THE MAIN BUILDING FOUNDATION



**LOCATION PLAN**  
SCALE = 1:4000



**PLAN**  
**DETAILS OF S.U.G.R.**  
CAPACITY = 3600 LTRS.  
SCALE:-1:50

SCHEDULE FOR DOOR WINDOWS			
M.K.D.	SIZE	M.K.D.	SIZE
D1	1000X2100	W1	4625X1800
D2	900X2100	W1A	3560X1800
D3	750X2100	W2	1500X1200
		W3	1200X1200
		W4	1200X1050
		V	600X750

**NOTES :-**  
ALL DIMENSIONS ARE IN M.M.  
ALL MAIN WALL 200THICK, PARTITION WALL 75 THK, OTHERWISE MENTIONED  
DEPTH OF SEPTIC-TANK, S.U.G.R. DO NOT GO BEYOND THE END OF THE BLDG  
ALL SORTS OF PRECAUTIONARY MEASUREMENTS WILL BE TAKEN DURING CONSTRUCTION OF WORK  
P.C.C-1:4:9, R.C.C-1:2:4, M-20 GRADE OF CONCRETE, FE-415 GRADE STEEL.  
**SPECIFICATION :-**  
D.P.C. BELOW WALL 1:2:4  
WALL WITH 1ST CLASS BRICK 1:4:1:6  
PLASTER WITH SAND CEMENT PLASTER 1:4:1:6  
DOOR, WINDOW WOODEN / STEEL  
FLOOR MARBLE FINISH  
SANITARY, PLUMBING WORKS WITH C.I., G.I PIPES 1ST CLASS FITTINGS.

I/WE DO HEREBY DECLARE WITH FULL RESPONSIBILITY THAT :  
I/WE SHALL ENGAGE L.B.S. & E.S.E. DURING CONSTRUCTION.  
I/WE SHALL FOLLOW THE INSTRUCTIONS OF L.B.S. & E.S.E. DURING CONSTRUCTION OF THE BUILDING (AS PER B.S. PLAN).  
AUTHORITY WILL NOT BE RESPONSIBLE FOR STRUCTURAL STABILITY OF THE BUILDING & ADJOINING STRUCTURES.  
IF ANY SUBMITTED DOCUMENTS ARE FOUND TO BE FAKE, THE K.M.C. AUTHORITY WILL REVOKE THE SANCTION PLAN.  
THE CONSTRUCTION OF WATER RESERVOIR WILL BE UNDER TAKEN UNDER THE GUIDANCE OF E.S.E./L.B.S. BEFORE STARTING OF BUILDING FOUNDATION WORK. DURING DEPARTMENTAL INSPECTION, THE PLOT WAS IDENTIFIED BY L.B.S./ OWNER THE PLOT IS BUTTED AND BOUNDED BY BOUNDARY WALL BY ME/US.  
THERE IS NO LEGAL CASE PENDING AT THE ABOVE MENTIONED PREMISES.

M/S PRO BLUE BUILDERS LLP PARTNERS OF  
SRI PRASUN KUMAR SINHA & SRI RAJESH SINGH  
**NAME OF OWNER/ APPLICANT**

SANTU SASHMAL  
LBS/11/1558  
**NAME OF THE L.B.S.**

CERTIFIED WITH FULL RESPONSIBILITY THAT THE BUILDING PLAN HAS BEEN DRAWN UP AS PER PROVISION OF K.M.C. BUILDING RULES 2009 AS AMENDED FROM TIME TO TIME & THAT THE SITE CONDITION HAS BEEN MEASURED AND K.M.C. BLACK TOP ROAD WIDTH 4.26M. (WESTERN SIDE) & I.P.S. COMMON PASSAGE 3.0 M. (NORTHERN SIDE) VERIFIED BY ME. IT IS A BUILDABLE SITE AND NOT A TANK OR FILLED UP TANK. THE LAND IS DEMARCATED BY BOUNDARY WALL. THE CONSTRUCTION OF U.G.WATER TANK WILL BE COMPLETED BEFORE STARTING OF BUILDING FOUNDATION WORK.

**MAIN CHARACTERISTICS OF PLAN PROPOSAL**

1. ASSESSEE NO :- 21 - 100 - 04-0338 - 0	
1) NAME OF THE OWNER- M/S PRO BLUE BUILDERS LLP PARTNERS OF SRI PRASUN KUMAR SINHA & SRI RAJESH SINGH	
DETAILS OF REGISTERED DEED OF SALE :- BOOK NO - I, VOL. NO - 1630-2022 BEING NO - 160405529, YEAR- 2022 PAGES NO - 180896 TO 180918, DATED - 27/05/2022 REGD. OF THE D.S.R -IV, SOUTH 24 PARGANAS, W.B.	DETAILS OF DEED OF GIFTED (CORNER SPLAYED) BOOK NO - I, VOL. NO - 1630-2022 BEING NO - 163003396, YEAR- 2022 PAGES NO - 135575 TO 135577, DATED - 24/06/2022 REGD. OF THE D.S.R -IV, SOUTH 24 PARGANAS, W.B.
DETAILS OF REGISTERED BOUNDARY DECLARATION :- BOOK NO - I, VOL. NO - 1630-2022 BEING NO - 163003396, YEAR- 2022 PAGES NO - 135578 TO 135588, DATED - 24/06/2022 REGD. OF THE D.S.R -IV, SOUTH 24 PARGANAS, W.B.	DETAILS OF TENANT DECLARATION :- BOOK NO - I, VOL. NO - 1630-2022 BEING NO - 163003615, YEAR- 2022 PAGES NO - 141471 TO 141480, DATED - 12/07/2022 REGD. OF THE D.S.R -IV, SOUTH 24 PARGANAS, W.B.

**PART-B**

1. AREA OF LAND:-  
a) AS PER PHYSICAL = 264.786 SQ.M. (03KH. - 15CH. - 15.1575FT.)  
b) AS PER TITLE DEED = 267.558 SQ.M. (04KH. - 00CH - 0005FT.)  
c) AS PER BOUNDARY DECLARATION = 264.786 SQ.M.
2. a) CORNER SPLAY AREA OF LAND = 2.877 SQ.M.  
b) NET LAND AREA = 261.909 SQ.M.
3. i) PERMISSIBLE GROUND COVERAGE - 153.160 SQ.M. (57.843%)  
ii) PROPOSED GROUND COVERAGE - 148.190 SQ.M. (55.966%)  
4. i) PERMISSIBLE HEIGHT :- 12.50 M.  
ii) PROPOSED HEIGHT :- 12.500 M.

	GROSS COVERED AREA (SQ.M.)	CUTOUT		TOTAL EXEMPTED AREA (SQ.M.)	NET FLOOR AREA (SQ.M.)	NET FLOOR AREA FOR COVERED
		LIFT WELL (SQ.M.)	STAIR & STAIR LOOBY (SQ.M.)			
GROUND FLOOR	145.808	10.340	2.128	133.342	145.808	
1ST. FLOOR	148.190	1.781	10.340	2.128	133.943	146.409
2ND. FLOOR	148.190	1.781	10.340	2.128	133.943	146.409
3RD. FLOOR	148.190	1.781	10.340	2.128	133.943	146.409
TOTAL	590.378	5.343	41.360	8.506	535.171	585.035

MARKED	TENEMENTS SIZE	PROPORTIONAL AREA TO BE ADDED	ACTUAL TENEMENT AREA	NO. OF TENEMENT	REQD. CAR PARKING
* A *	52.425 SQ.M.	6.767 SQ.M.	59.192 SQ.M.	01	
* B *	66.600 SQ.M.	8.586 SQ.M.	75.186 SQ.M.	03	03
* C *	66.518 SQ.M.	8.586 SQ.M.	75.104 SQ.M.	03	

7. A) TOTAL NOS. OF REQD. CAR PARKING = 03  
B) TOTAL NOS. OF CAR PARKING PROVIDED AT GROUND FLOOR = 03  
8. COVERED CAR PARKING AREA AT GROUND FLOOR = 74.942 SQ.M.  
9. PERMISSIBLE F.A.R. = 1.75  
10. PROPOSED F.A.R. = (535.171 - 74.942) / 264.786 = 1.738 < 1.75  
11. STATEMENT OF OTHER AREAS FOR FEES:-

FLOOR	LOFT (SQ.M.)	CUPBOARD (SQ.M.)	LEDGE/TEND (SQ.M.)
TOTAL	NIL	8.10	NIL

12. STAIR HEAD ROOM AREA :- 13.26 SQ.M.  
13. LIFT MACHINE ROOM AREA :- 8.543 SQ.M.  
14. LIFT MACHINE ROOM STAIR AREA :- 3.825 SQ.M.  
15. ROOF AREA :- 148.190 SQ.M.  
16. RELAXATION OF AUTHORITY, IF ANY :-  
17. ROOF SERVICE AREA :- NIL  
18. ROOF TANK AREA :- 5.72 SQ.M.  
19. TOTAL COMMON AREA :- 58.314 SQ.M.  
20. TOTAL OTHER AREA FOR FEES = 33.728 SQ.M.  
21. TREE COVER AREA PERMISSIBLE AT GROUND FLOOR = 3.926 SQ.M.

GROUND FLOOR PLAN WITH SANITARY LAYOUT, EXISTING FLOOR PLAN, SITE PLAN, KEY PLAN, DETAIL OF S.U.G.W.R., DETAIL OF SEPTIC TANK

**PROJECT:**  
**PLAN OF A PROPOSED G + III (THREE) STORED (HT.-12.500 MT.) RESIDENTIAL BUILDING U/S 393 A OF K.M.C. ACT 1980 COMPLYING WITH BUILDING RULE -2009, AT PREMISES NO.- 29/3, DURGAPRASANNA PARAMHANSHA ROAD, WARD NO.- 100, BOROUGH NO.- X, KOLKATA - 700 047.**

**BUILDING PERMIT. NO. :** 2022100151 **DATE :** 29-SEP-2022

VALID FOR 5 YEARS FROM DATE OF SANCTION.

DIGITAL SIGNATURE OF SANCTIONING AUTHORITY

THE STRUCTURAL DESIGN & DRAWINGS BOTH THE FOUNDATION & SUPER STRUCTURE OF THE BUILDING HAS BEEN MADE BY ME CONSIDERING ALL POSSIBLE LOAD INCLUDING THE SEISMIC LOAD AS PER N.B.C. OF INDIA & CERTIFIED THAT IT IS SAFE & STABLE IN ALL RESPECTS.

**BHASKAR ROY**  
ESE/11/143  
**NAME OF STRUCTURAL ENGINEER**

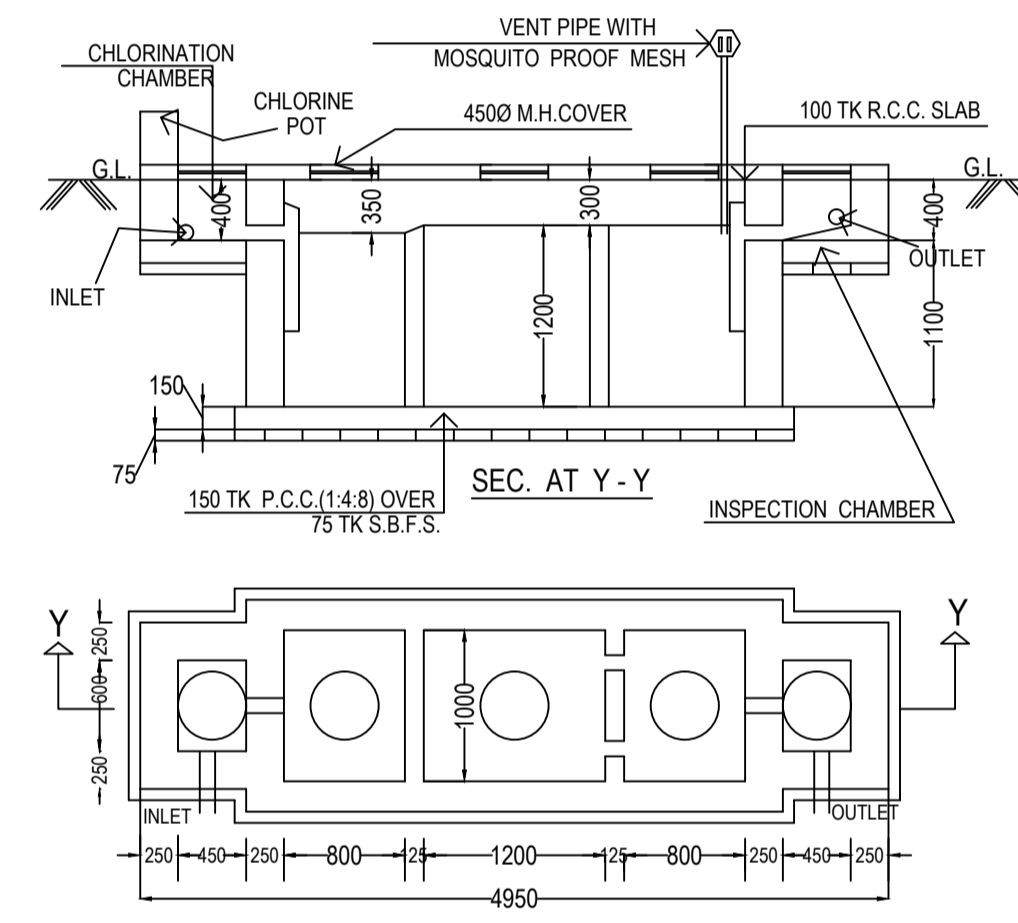
UNDERSIGNED HAS INSPECTED THE SITE AND CARRIED OUT SOIL INVESTIGATION THEREON. IT IS CERTIFIED THAT THE EXISTING SOIL OF THE SITE IS ABLE TO CARRY THE LOAD COMING FROM THE PROPOSED CONSTRUCTION AND THE FOUNDATION SYSTEM PROPOSED HEREIN IS SAFE & STABLE IN ALL RESPECT FROM GEO-TECHNICAL POINT OF VIEW.

SOIL INVESTIGATION WORK EXECUTED BY :-  
TECHNO SOIL  
GORKHARA, ARUNACHAL, SONARPUR, KOLKATA - 700150  
Email ID - technosoil21@gmail.com

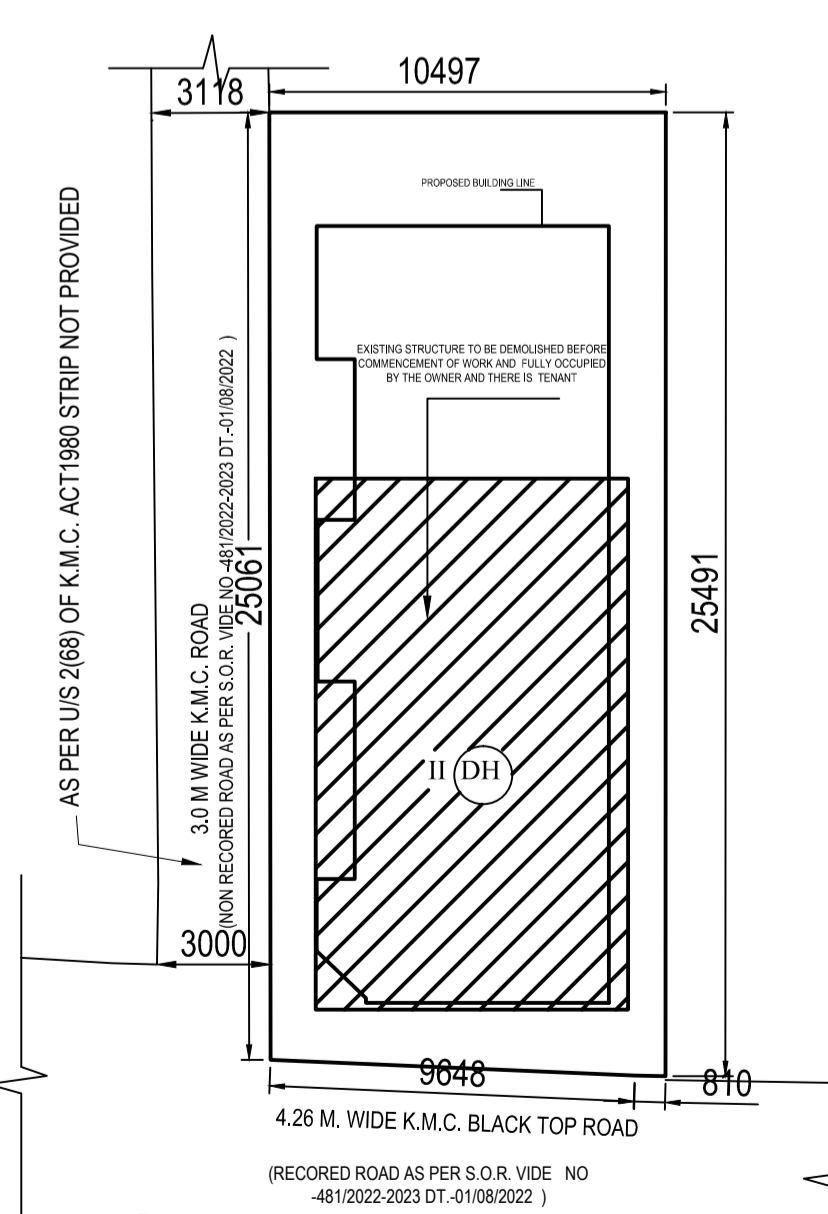
**RUPAK KUMAR BANERJEE**  
B.C.E., M.E., MIGS  
G.T.E. (K.M.C.)/1/3  
**NAME OF GEO-TECHNICAL ENGINEER (K.M.C.)**

SHEET NO - 1 OF 2

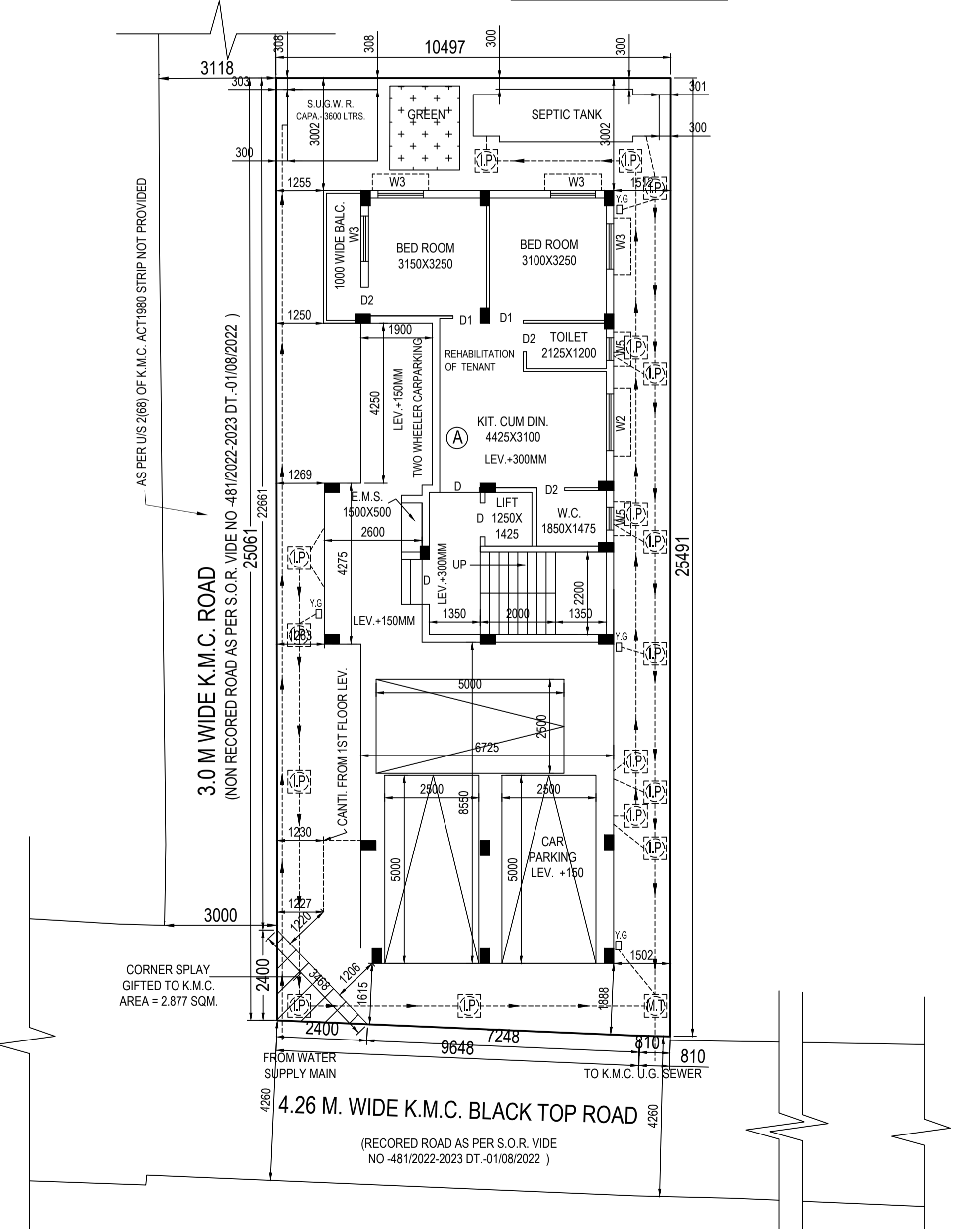
**ASSISTANT ENGINEER (C) K.M.C.,**  
BOROUGH - X



**PLAN**  
**DETAILS OF SEPTIC TANK**  
USER-35 SCALE:-1:50



**EXISTING FLOOR PLAN**  
SCALE :- 1:200



**GROUND FLOOR PLAN WITH SANITARY LAYOUT**  
SCALE:-1:100